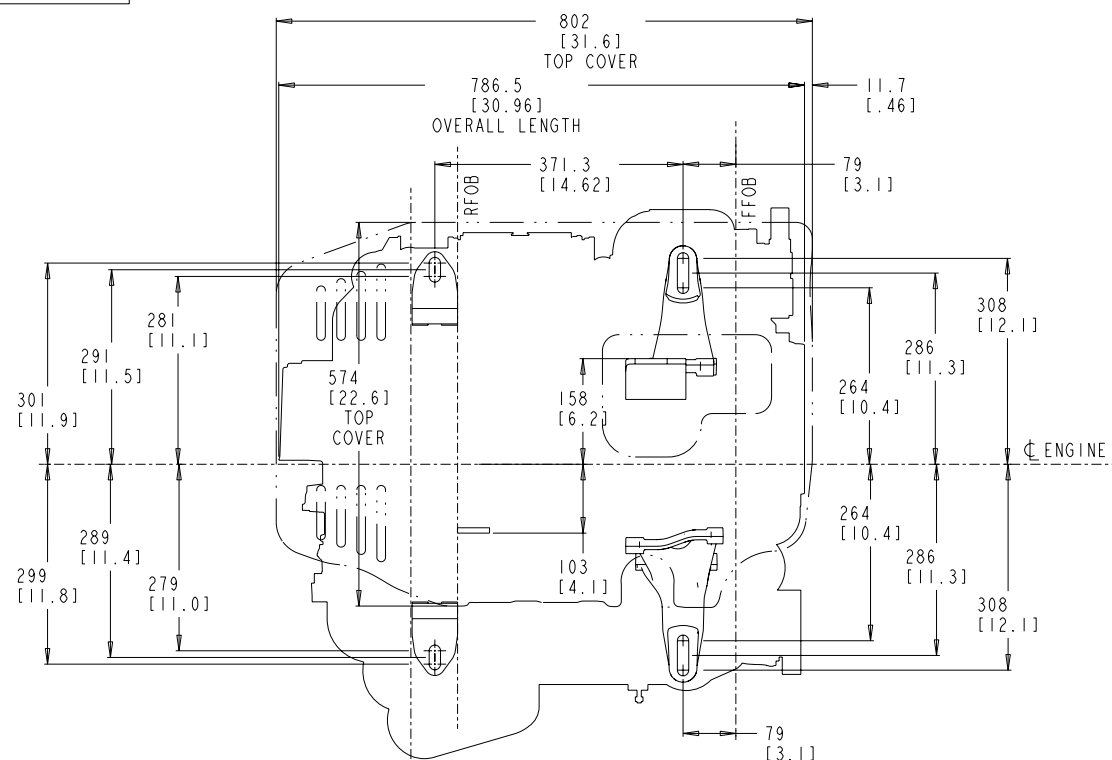


ITEM NUMBER
4953725

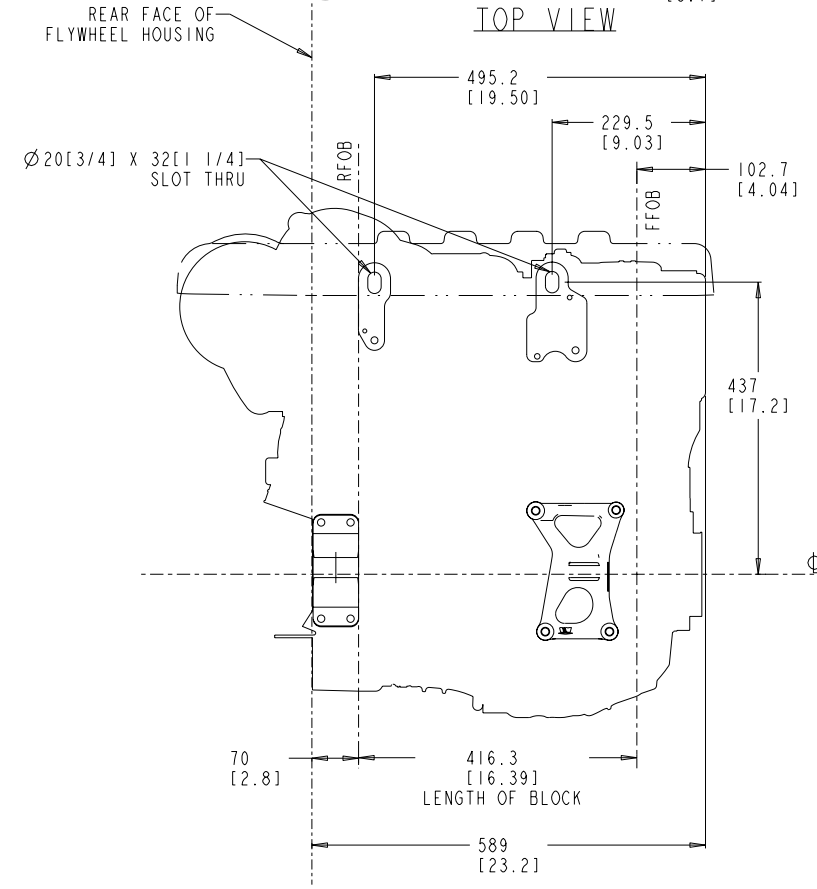
REVISIONS			
ZONE	REV	DESCRIPTION	APP'D
04	REVISED		

TABLE OF CONTENTS

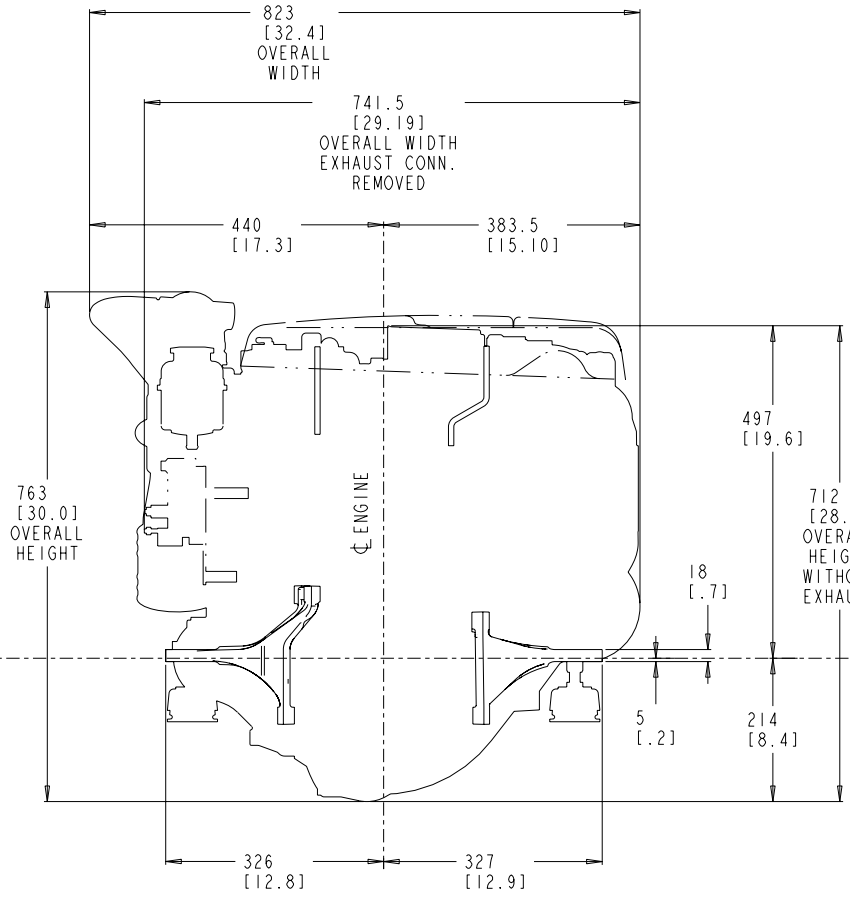
DRAWING / SUB-SYSTEM	SHEET
DIMENSION OUTLINE	1
ASSEMBLY DRAWING	2
ELECTRICAL SYSTEM	3
MOUNTING SYSTEM	4



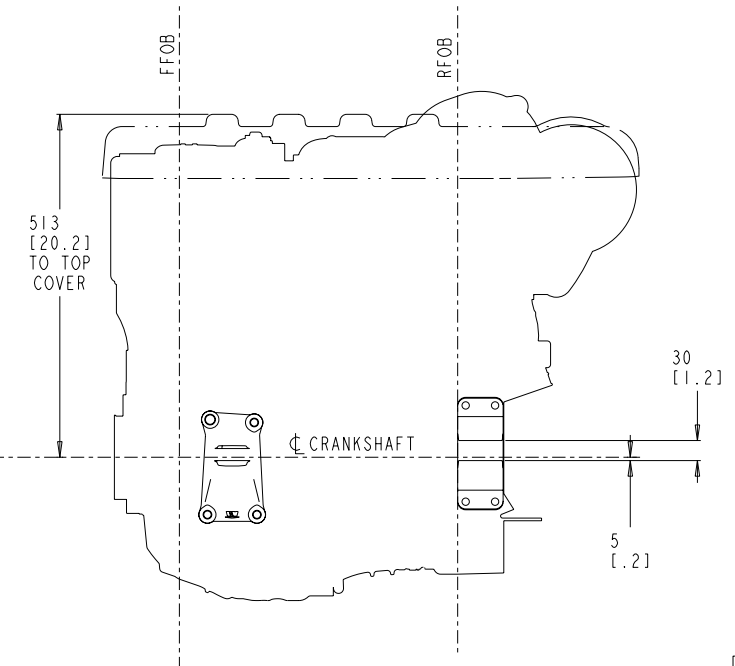
TOP VIEW



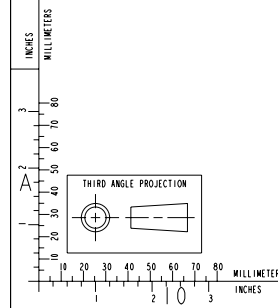
EXHAUST SIDE



FRONT VIEW



FUEL PUMP SIDE



PRODUCT GRAPHICS FILE
NO ORIGINAL DRAWING EXISTS FOR THIS ITEM. THE ENGINEERING GRAPHICS DATA FOR THIS ITEM RESIDES IN THE PRODUCT GRAPHICS FILE AND IS CONTROLLED BY THE AGENCY DESIGNATED AS HAVING ITEM CONTROL.

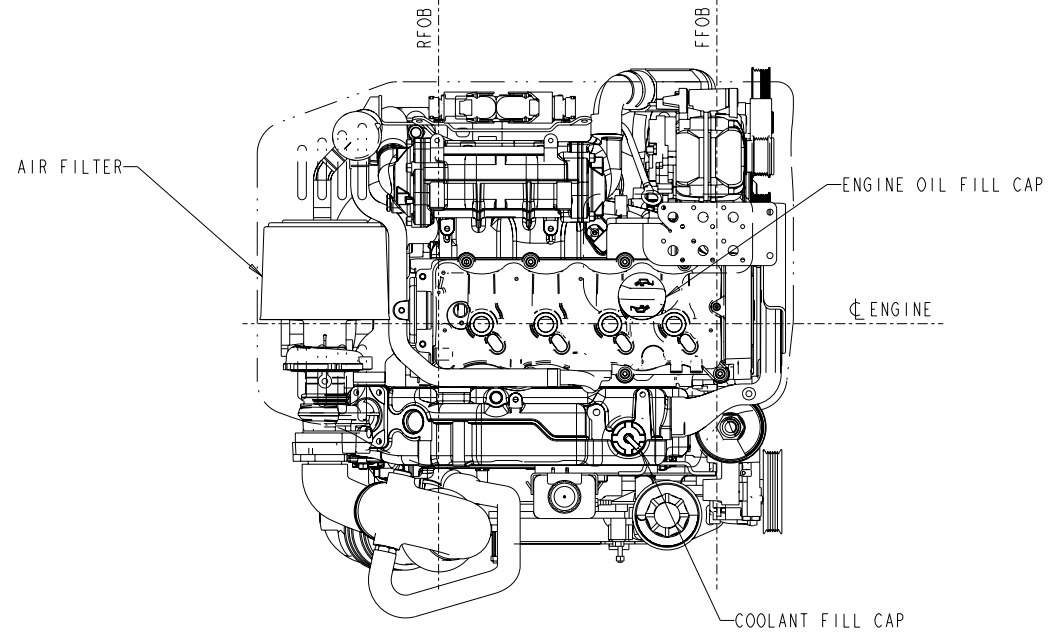
DO NOT SCALE THIS DRAWING

THIS DRAWING/DATA FILE (AND THE INFORMATION SHOWN THEREON) IS CONFIDENTIAL AND PROPRIETARY AND SHALL NOT BE USED, DISCLOSED TO OTHERS, OR REPRODUCED BY ANY MEANS FOR ANY PURPOSE IN HARD COPY FORM OR IN MACHINE READABLE FILES, WITHOUT WRITTEN CONSENT OF CUMMINS INC., MARKETING CAD SERVICES DEPARTMENT.

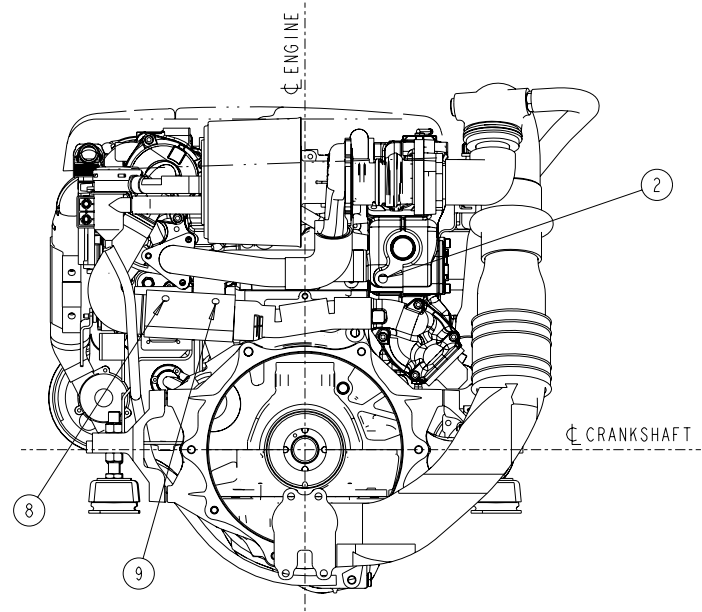
LAST SECTION LETTER USED: NA	REF. DRAWING STANDARDS: ANSI Y14.5M ISO 81101	CUMMINS INC.	
UNLESS OTHERWISE SPECIFIED DIMENSIONS ARE IN: MM 1.7 ARE IN: IN	ITEM NAME QSD 2.0L SUBSYSTEM	IDENTIFIER J	ITEM NUMBER 4953725
DWN: D. SOMIN CHD: UNCHECKED APPD:	SCALE: 3	ITEM CONTROL: MCS	SHEET 1 OF 4

ITEM NUMBER
4953725

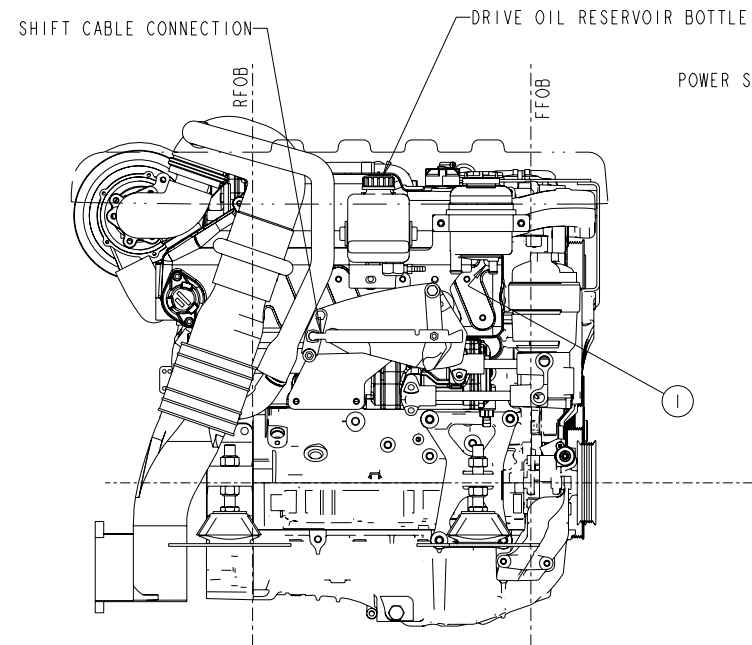
REVISIONS			
ZONE	REV	DESCRIPTION	APP'D
04	REVISED		



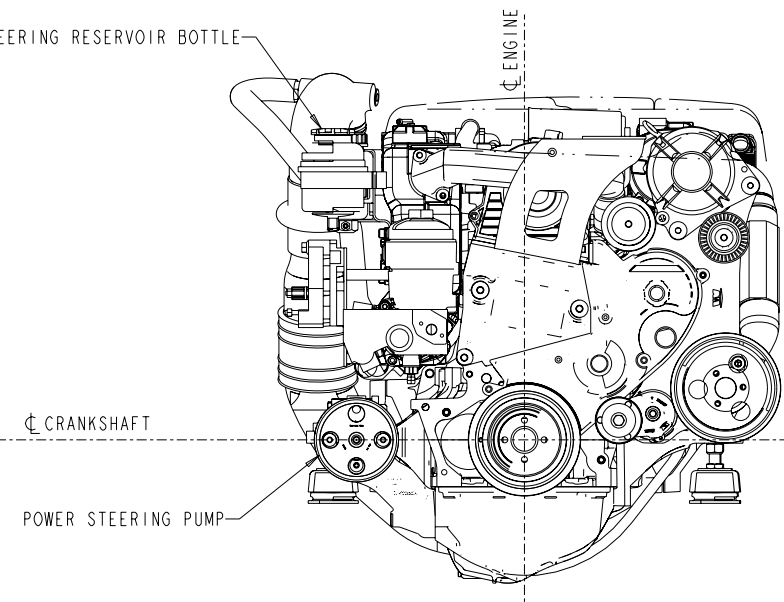
TOP VIEW



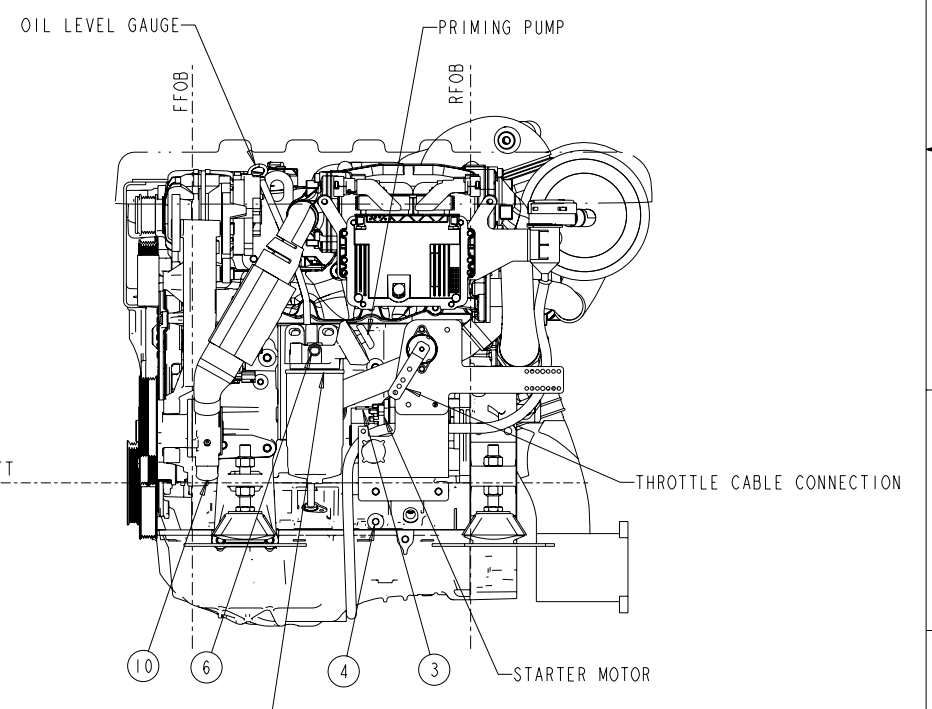
BACK VIEW



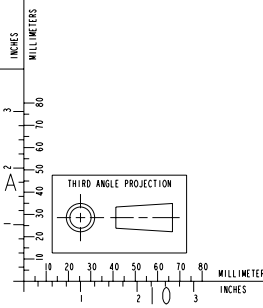
EXHAUST SIDE



FRONT VIEW



FUEL PUMP SIDE



SERVICE CONNECTIONS/TEST PORTS		
1	AUX. HEATER RETURN [1/4 NPT]	
2	AUX. HEATER SUPPLY [1/4 NPT]	
3	BATTERY (+) M10 X 1.5	
4	BLOCK GROUND (-) M10 X 1.5	
5	EXHAUST TEMP/BACK PRESS. N/A	
6	FUEL INLET Ø8.0 [1.3125]	
7	FUEL RETURN N/A	
8	POWER STEERING/GEAR OIL COOLER INLET Ø9.52 [1.375]	
9	POWER STEERING/GEAR OIL COOLER OUTLET Ø9.52 [1.375]	
10	SEAWATER INLET Ø31.75 [1.25]	

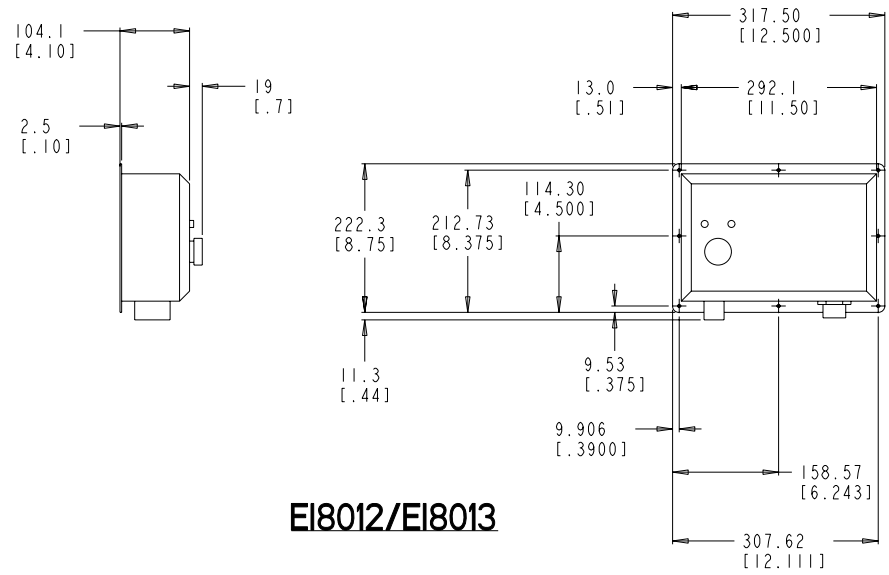
PRODUCT GRAPHICS FILE
NO ORIGINAL DRAWING EXISTS FOR THIS ITEM. THE ENGINEERING GRAPHICS DATA FOR THIS ITEM RESIDES IN THE PRODUCT GRAPHICS FILE AND IS CONTROLLED BY THE AGENCY DESIGNATED AS HAVING ITEM CONTROL.

DO NOT SCALE THIS DRAWING
THIS DRAWING/DATA FILE (AND THE INFORMATION SHOWN THEREON) IS CONFIDENTIAL AND PROPRIETARY AND SHALL NOT BE USED, DISCLOSED TO OTHERS, OR REPRODUCED BY ANY MEANS FOR ANY PURPOSE IN HARD COPY FORM OR IN MACHINE READABLE FILES, WITHOUT WRITTEN CONSENT OF CUMMINS INC., MARKETING CAD SERVICES DEPARTMENT.

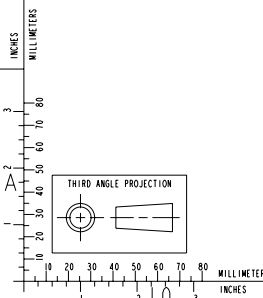
LAST SECTION LETTER USED: NA	REF. DRAWING STANDARDS: ANSI Y14.5M ISO 81101	CUMMINS INC.
UNLESS OTHERWISE SPECIFIED DIMENSIONS ARE IN: MM 1:1 ARE IN: IN	ITEM NAME QSD 2.0L SUBSYSTEM	IDENTIFIER
DWN: D. SOMIN CHD: UNCHECKED APPD: UNCHECKED	SIZE CODE (IDENT. NO.) J	ITEM NUMBER 4953725
	SCALE: 1	ITEM CONTROL: MCS SHEET 2 OF 4

ITEM NUMBER
4953725

REVISIONS			
ZONE	REV	DESCRIPTION	APP'D
04	REVISED		



EI8012/EI8013



ELECTRICAL SYSTEM

DO NOT SCALE THIS DRAWING

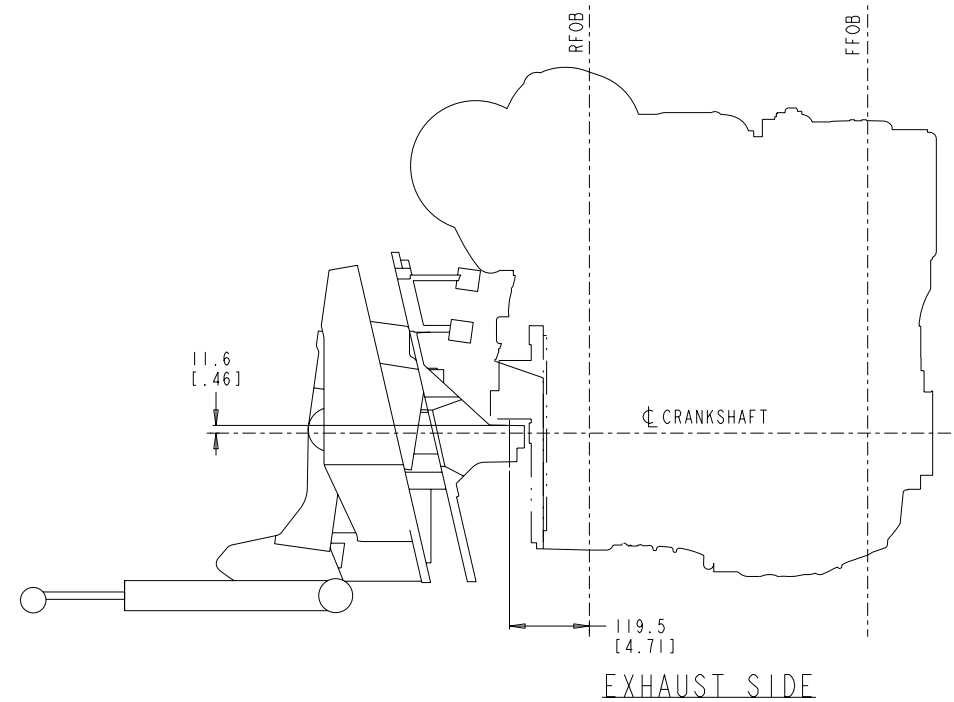
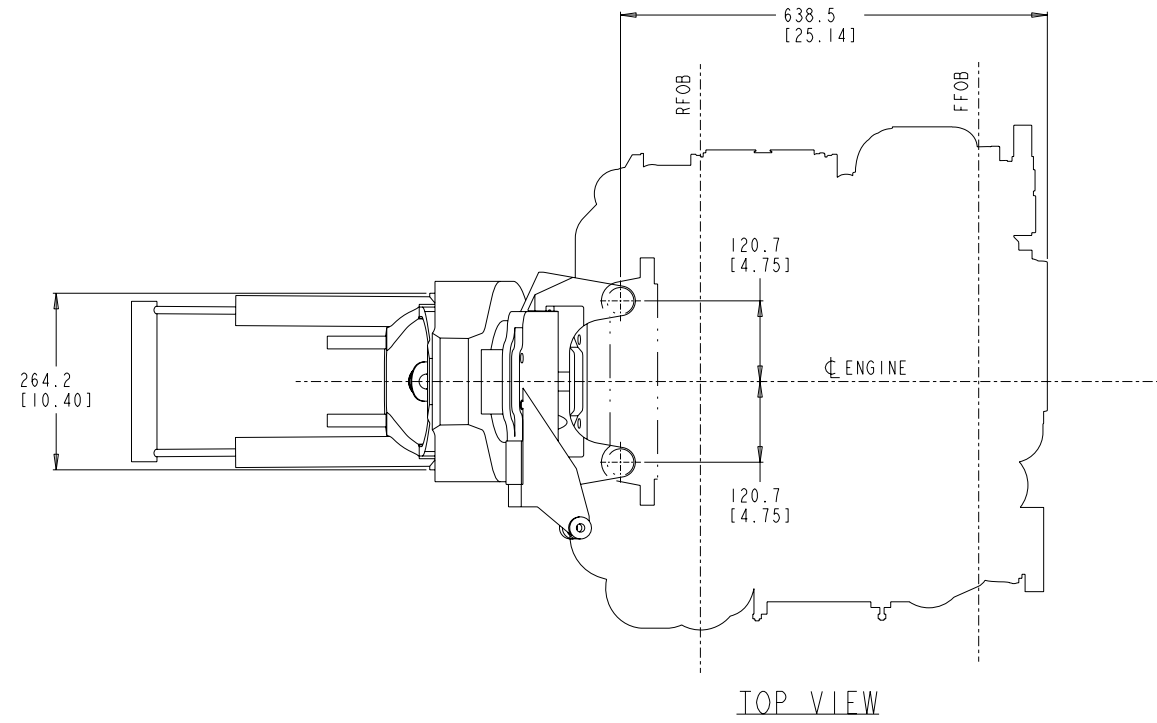
THIS DRAWING/DATA FILE (AND THE INFORMATION SHOWN THEREON) IS CONFIDENTIAL AND PROPRIETARY AND SHALL NOT BE USED, DISCLOSED TO OTHERS, OR REPRODUCED BY ANY MEANS FOR ANY PURPOSE IN HARD COPY FORM OR IN MACHINE READABLE FILES, WITHOUT WRITTEN CONSENT OF CUMMINS INC., MARKETING CAD SERVICES DEPARTMENT.

PRODUCT GRAPHICS FILE
NO ORIGINAL DRAWING EXISTS FOR THIS ITEM. THE ENGINEERING GRAPHICS DATA FOR THIS ITEM RESIDES IN THE PRODUCT GRAPHICS FILE AND IS CONTROLLED BY THE AGENCY DESIGNATED AS HAVING ITEM CONTROL.

LAST SECTION LETTER USED: NA	REF. DRAWING STANDARDS: ANSI Y14.5M ISO 81101	CUMMINS INC.	
UNLESS OTHERWISE SPECIFIED DIMENSIONS ARE IN: MM 1:1 ARE IN: IN		ITEM NAME QSD 2.0L SUBSYSTEM	IDENTIFIER
DWN: D. SOMIN	CHKD: UNCHECKED	SCALE: 1:1	ITEM NUMBER 4953725
APPD:		ITEM CONTROL: MCS	SHEET 3 OF 4

ITEM NUMBER
4953725

REVISIONS			
ZONE	REV	DESCRIPTION	APP'D
04	REVISED		



**SA9066
ALPHA**

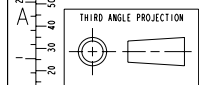
MOUNTING SYSTEM

PRODUCT GRAPHICS FILE
NO ORIGINAL DRAWING EXISTS FOR THIS ITEM. THE ENGINEERING GRAPHICS DATA FOR THIS ITEM RESIDES IN THE PRODUCT GRAPHICS FILE AND IS CONTROLLED BY THE AGENCY DESIGNATED AS HAVING ITEM CONTROL.

DO NOT SCALE THIS DRAWING

THIS DRAWING/DATA FILE (AND THE INFORMATION SHOWN THEREON) IS CONFIDENTIAL AND PROPRIETARY AND SHALL NOT BE USED, DISCLOSED TO OTHERS, OR REPRODUCED BY ANY MEANS FOR ANY PURPOSE IN HARD COPY FORM OR IN MACHINE READABLE FILES, WITHOUT WRITTEN CONSENT OF CUMMINS INC., MARKETING CAD SERVICES DEPARTMENT.

LAST SECTION LETTER USED: NA	REF. DRAWING STANDARDS: ANSI Y14.5M ISO 81101	CUMMINS INC.	
UNLESS OTHERWISE SPECIFIED DIMENSIONS ARE IN: MM () ARE IN: IN		ITEM NAME QSD 2.0L SUBSYSTEM	IDENTIFIER
DWN: D. SOMIN	CHK: UNCHECKED	SIZE CODE IDENT. NO.:	ITEM NUMBER 4953725
APPD:	SCALE: 3	ITEM CONTROL: MCS	SHEET 4 OF 4



INCHES MILLIMETERS